

PRODUCT INFORMATION

Kindagard® has been designed to prevent fingers being trapped in the gap between the door leaf and the frame. Fitting Kindagard® will cover the gap completely.

Product Features

- Easy to install, no specialist tools or equipment required.
- Slim-line design - once fitted it is hardly noticeable.
- Supplied with a high performance self-adhesive tape.
- Easy to clean and requires no maintenance.
- Suitable for areas of heavy pedestrian traffic.
- Can improve the acoustic and draft sealing performance of the doorset.
- Can be easily cut to length for smaller door sets by using heavy duty scissors.

Colour Availability

White and Brown as standard.

Areas of Application

- Suitable for fire rated and non-fire rated doors.
- Suitable for timber, steel or composite doors.
- Suitable for doors with an opening angle to a maximum of 120°. Greater angles may be possible depending on the geometry of the door - test first with a short offcut.
- Ideal for nurseries, schools and residential and care homes.

Material Specification

High performance polymer

- Polyvinyl chloride

Flammability

- UL94 surface spread of flame
- V1 classification.
- Self extinguishing



BS EN ISO 9001:2000
Certificate No. FM10371

Manufactured in accordance with our ISO9001:2000 accreditation FM10371.

Due to our policy of continual development, we reserve the right to amend specifications without prior notice.



Kindagard® looks smart and discreet

Performance Testing

Cycle testing

Independently tested. Installed on a solid timber doorset with the opening angle set at 120°. The doorset was then cycle tested to 250,000 opening and closing whilst under load.

The system was visually inspected and tested at regular intervals to check for splits, tears or delamination from the timber doorframe and leaf, with no signs of failure.

Material Safety Data Sheets

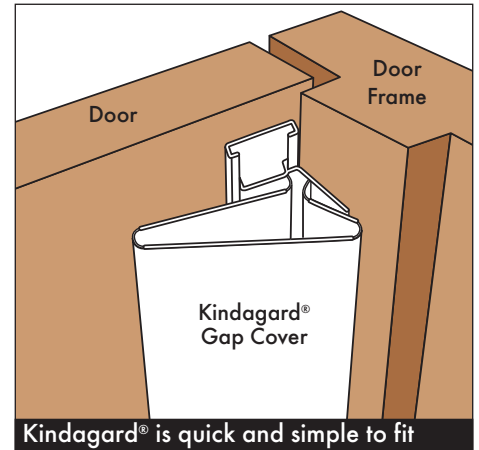
MSDS are available on request or can be downloaded from www.kindagard.com

Maintenance and Installation Records

Since the product is not subject to routine and replacement programmes, Kindagard® recommend that all safety devices components are checked on a regular basis. Replace and fit any damaged components if necessary.

Packaging Specification

Individually packed in a protective plastic sleeve and packaged 5 or 10 lengths to a box. All lengths are cut to a length of 1.95m.



Kindagard® is quick and simple to fit

Why Fit Kindagard®?

Over 30,000 children are injured in the UK as a result of trapping their fingers in doors (Source: RoSPA website).

The Royal Society for the Prevention of Accidents (RoSPA) recommends the provision of hinge protectors in indoor play areas as a finger safety measure. Care homes, NHS properties and similar premises also benefit from implementing finger trapping accident prevention measures.

Attention to door safety prevents distress, or even disfigurement, from one of the more common accidents. BS7036 Part 4: Item 7.1 recommends "the use of a finger protection device that either fills the finger trap or minimises the gap so as not to create a finger trap".

If your premises fall within the scope of the Health, Safety and Welfare Regulations, then you could be deemed negligent if reasonable safety precautions, such as fitting door hinge guards, had not been taken.

INSTALLATION INSTRUCTIONS

Installation Essentials

Clean the door and the door frame thoroughly. It is essential that surfaces are clean and free of silicone or polish.

The channel, flexible cover and gap cover all have self adhesive strip on faces which attach to the door and door frame.

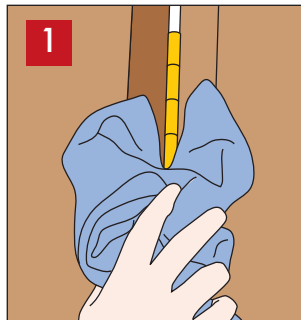
Before fitting you must remove pink cover from adhesive strip.

When securing ensure adhesive is firmly pressed into place.

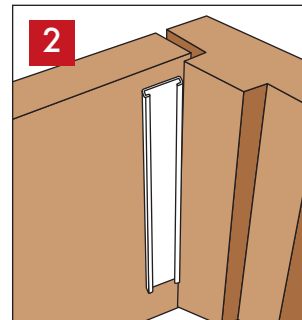


To fit the Kindagard® Door Hinge Safety System just follow the simple instructions below. Offer the Kindagard flexible gap cover to the door to check the length. If you need to shorten the Kindagard system heavy duty scissors are recommended.

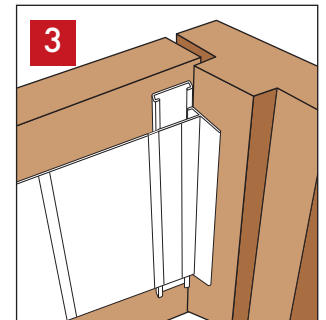
Gap Cover - 2 Part



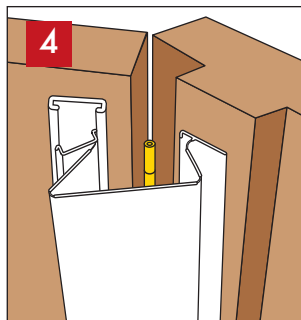
1 Clean the door and door frame thoroughly.



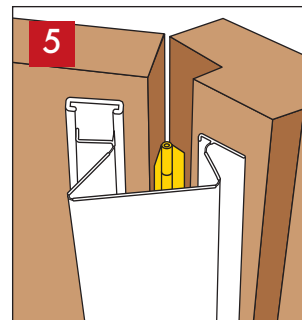
2 With door shut, secure channel into the corner of the door.



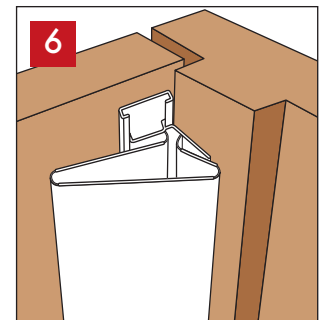
3 Secure flexible cover to door frame using edge of channel as a guide for positioning.



4 Open door. Line up foot on flexible cover to channel.

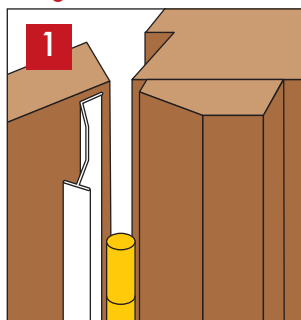


5 Locate and snap foot into channel on door.

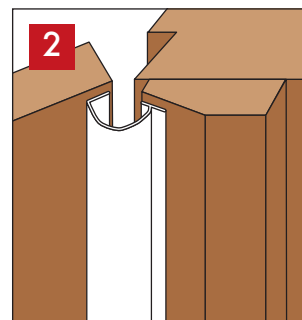


6 Close door.

Hinge Cover - 1 Part



1 Secure the 'L' shaped end to door butting up to the back of the hinge.



2 Roll cover over the hinge and secure the 'T' foot to the door frame.

For high pedestrian traffic areas, securing the product using panel pins or self tapping screws could be an advantage.